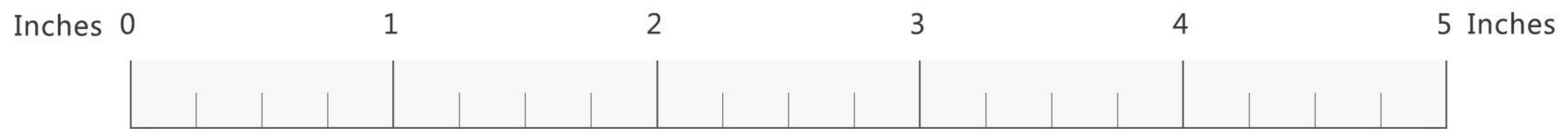


JEWEL HUB

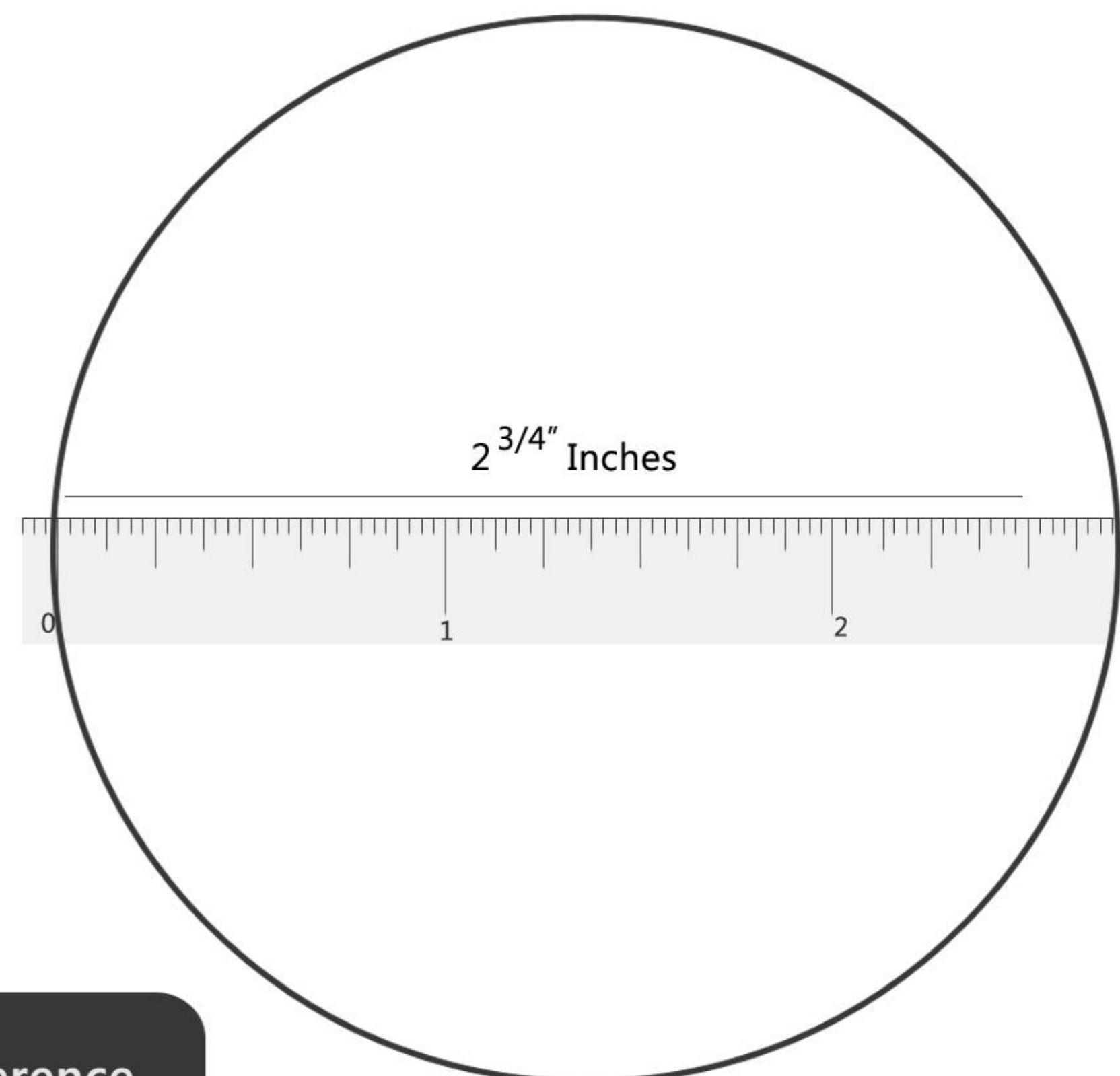
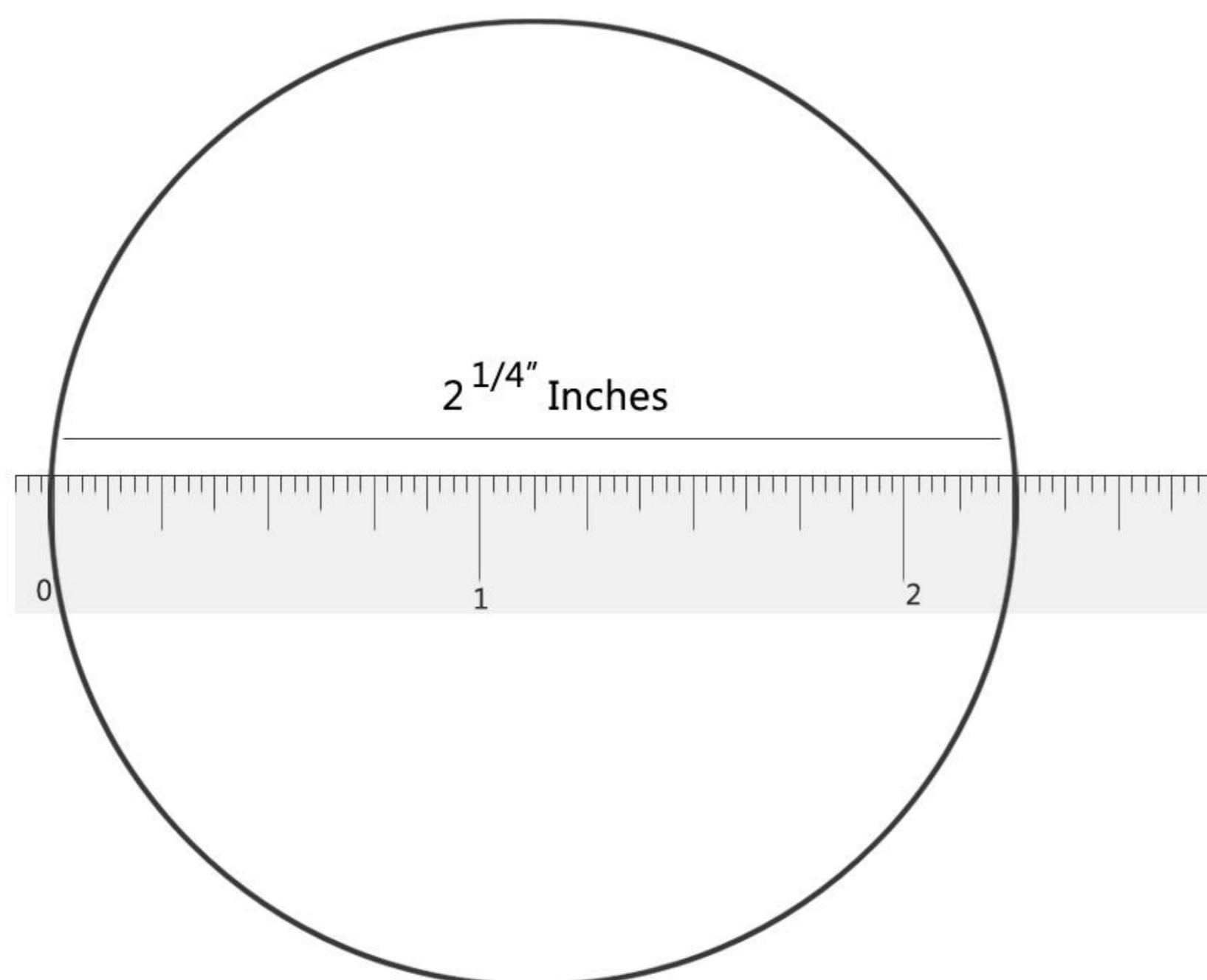
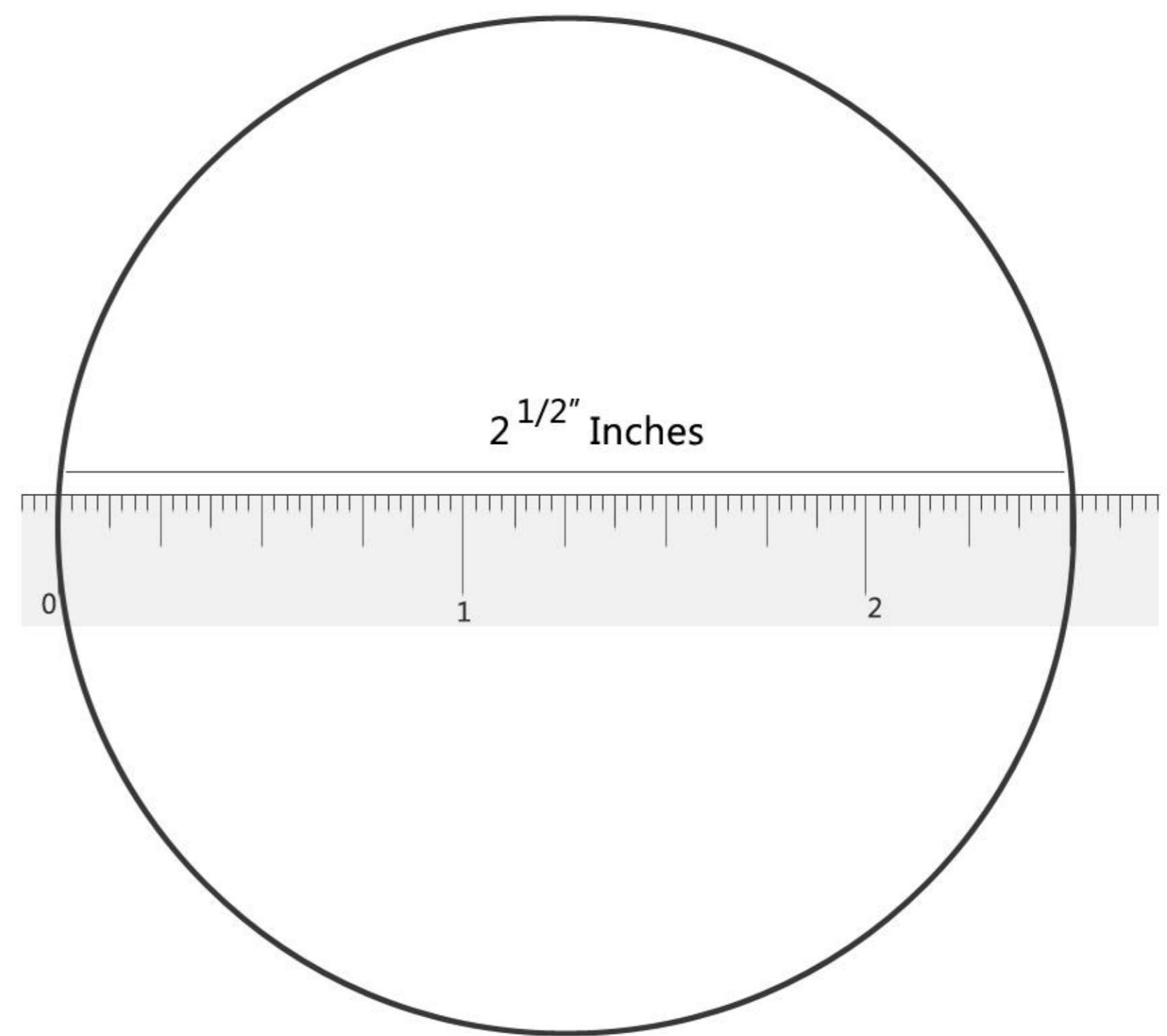
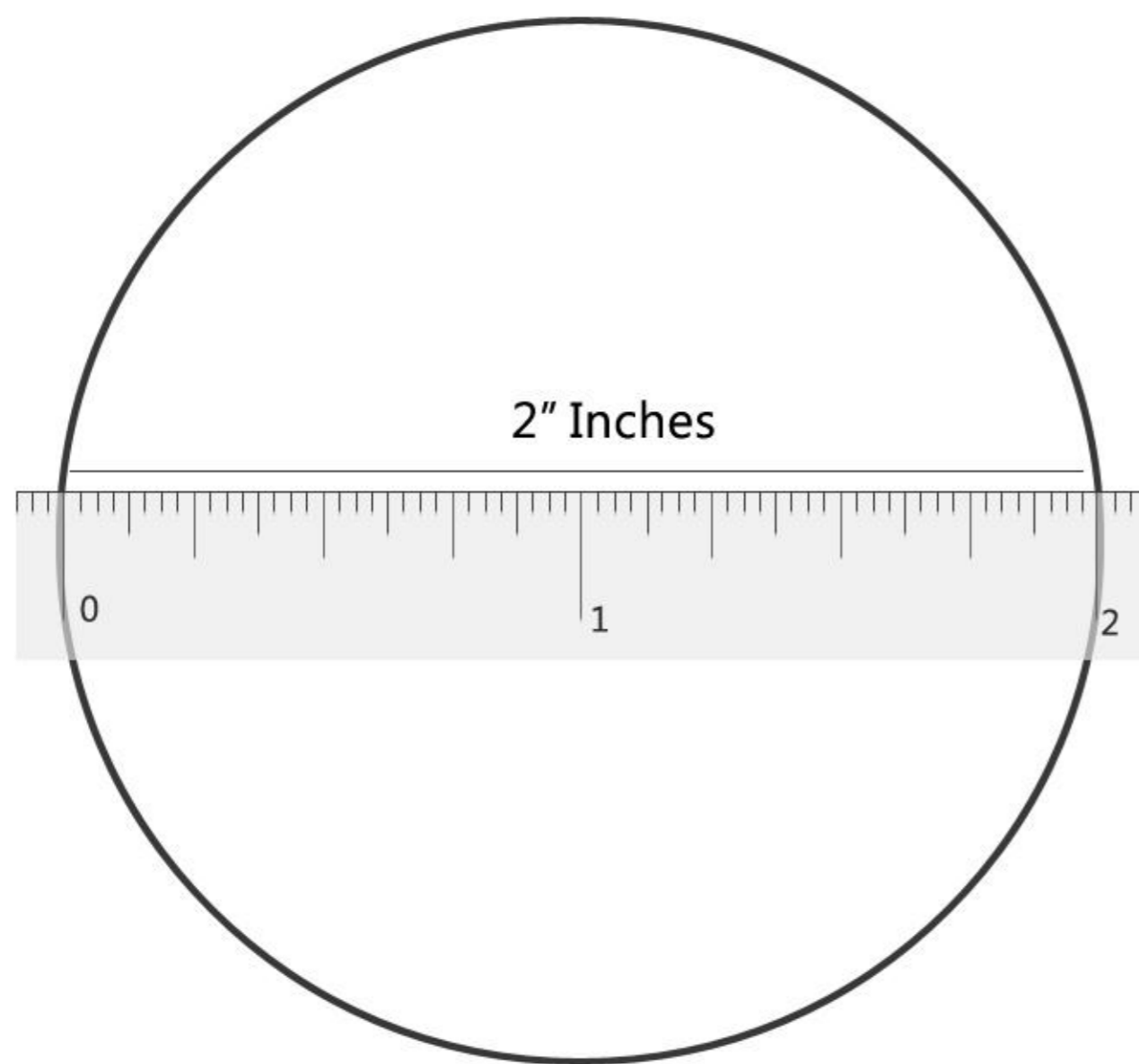
BANGLE SIZER

- ▶ Before printing, set the page scalling to "none" on your print dialog box.
- ▶ Print on standard 8 1/2 x 11 size paper (A4)
- ▶ Measure below scale measurement with actual (Physical) scale for checking the accuracy of this Bangle Sizer



How To Measure Your Bangle Size

Take one of your current slide-on Bangles, and find the circle on the above which matches best.



Size	Inner Diameter in inches.	Inner Diameter in cm	Circumference in Inches
Kids Bangles			
1.12	1.5	3.81	4.7
1.14	1.625	4.12	5.09
2	2.000	5.08	6.27
2.2	2.125	5.39	6.67
Adult Bangles			
2.4	2.25	5.7	7.06
2.6	2.375	6	7.46
2.8	2.5	6.5	7.85